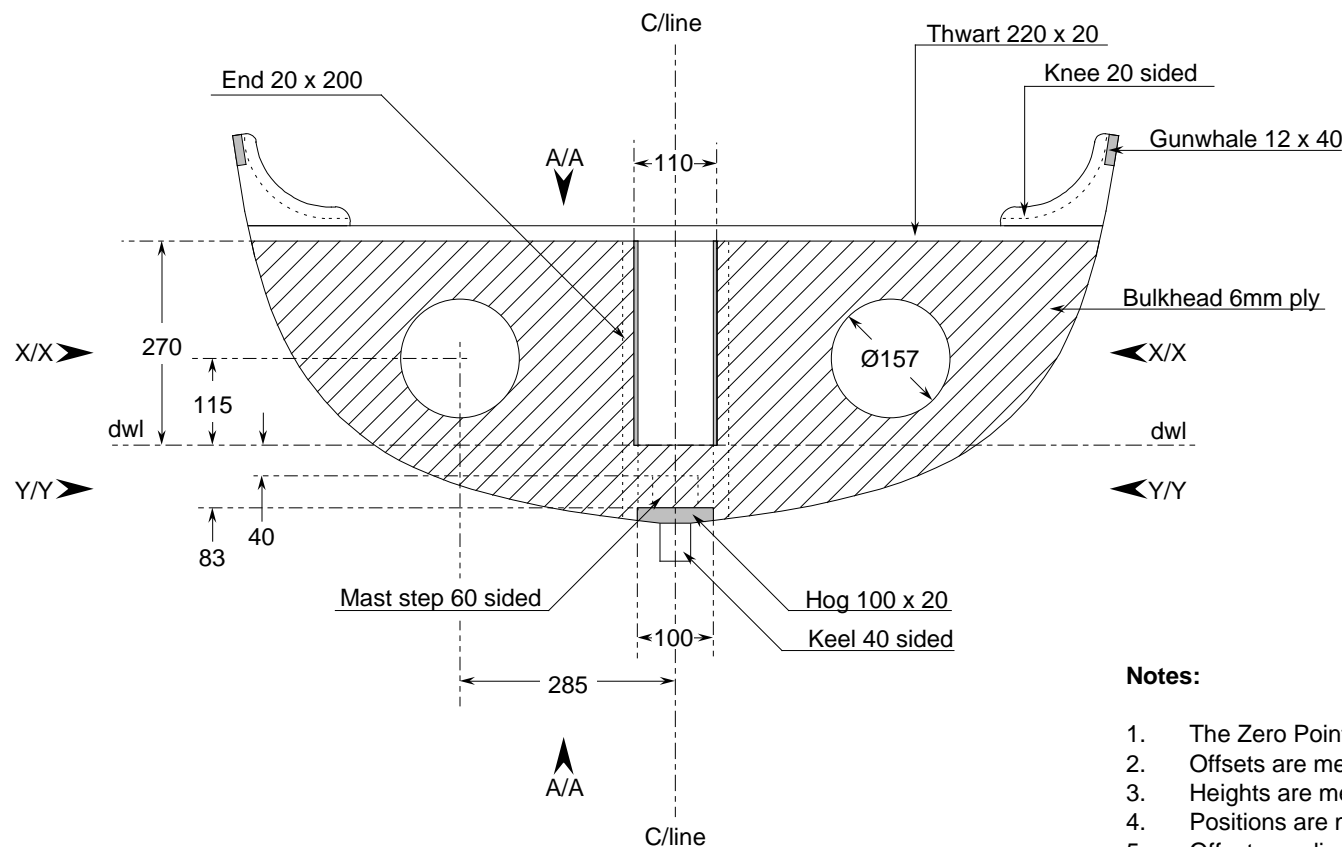


FWD BULKHEAD AT -550  
VIEW OF FWD FACE FROM FWD LOOKING AFT

**Note:** Circular holes in bulkheads suit RWO R2050 Inspection Covers (with R2055 O-rings). If another type of inspection hatch is used, then modify hole size. Do not cut holes so that their periphery is nearer than 75mm to the hull edge of the bulkhead.



AFT BULKHEAD AT -750  
VIEW OF AFT FACE FROM AFT LOOKING FWD

**Notes:**

1. The Zero Point is the intersection of the ghost forefoot and the Datum Waterline ("dwl").
2. Offsets are measured about centreline.
3. Heights are measured above or below (marked "-") the dwl.
4. Positions are measured forward and aft (marked "-") of the Zero Point.
5. Offsets on diagonals are measured along the diagonal.
6. Waterlines are marked "wl" followed by their height.
7. Buttock lines are marked "b" followed by their offset.
8. Diagonals are marked "d" followed by their height on the centreline and then their angle to it.
9. All offsets are to inside ofskin unless otherwise noted.

Bulkhead at -550						
	Aft Face of Components			Fwd Face of Components		
	Position	Offset	Height	Position	Offset	Height
<b>KNEE</b>						
Sheer	-570	534	419	-550	527	420
wl 350	-570	522	350	-550	515	350
Top of thwart	-570	509	290	-550	501	290
<b>THWART</b>						
Top of thwart				-540	498	290
Bottom of thwart				-540	493	270
<b>BULKHEAD</b>						
Bottom of thwart	-556	499	270	-550	496	270
wl 200	-556	477	200	-550	474	200
wl 100	-556	426	100	-550	424	100
dwl	-556	327	0	-550	324	0
b 300	-556	300	-16	-550	300	-15
b 200	-556	200	-56	-550	200	-55
b 100	-556	100	-79	-550	100	-78
Rebate	-556	20	-91	-550	20	-91
Ghost centreline	-556	0	-94	-550	0	-93

Bulkhead at -750						
	Aft Face of Components			Fwd Face of Components		
	Position	Offset	Height	Position	Offset	Height
<b>KNEE</b>						
Sheer	-750	586	409	-730	581	410
wl 350	-750	577	350	-730	572	350
Top of thwart	-750	566	290	-730	560	290
<b>THWART</b>						
Top of thwart	-760	569	290			
Bottom of thwart	-760	564	270			
<b>BULKHEAD</b>						
Bottom of thwart	-750	561	270	-744	560	270
wl 200	-750	542	200	-744	540	200
wl 100	-750	495	100	-744	493	100
dwl	-750	398	0	-744	396	0
b 300	-750	300	-48	-744	300	-47
b 200	-750	200	-76	-744	200	-75
b 100	-750	100	-93	-744	100	-93
Rebate	-750	20	-103	-744	20	-103
Ghost centreline	-750	0	-106	-744	0	-105

**Whisstock**  
boats and boat plans

support@whisstock.com

**Boat 037**

**Fwd thwart**

Scale 1/10

Date 20/02/2002

Plan No. 037/004/01

Issue No. 01 web

All dimensions in millimetres unless noted otherwise