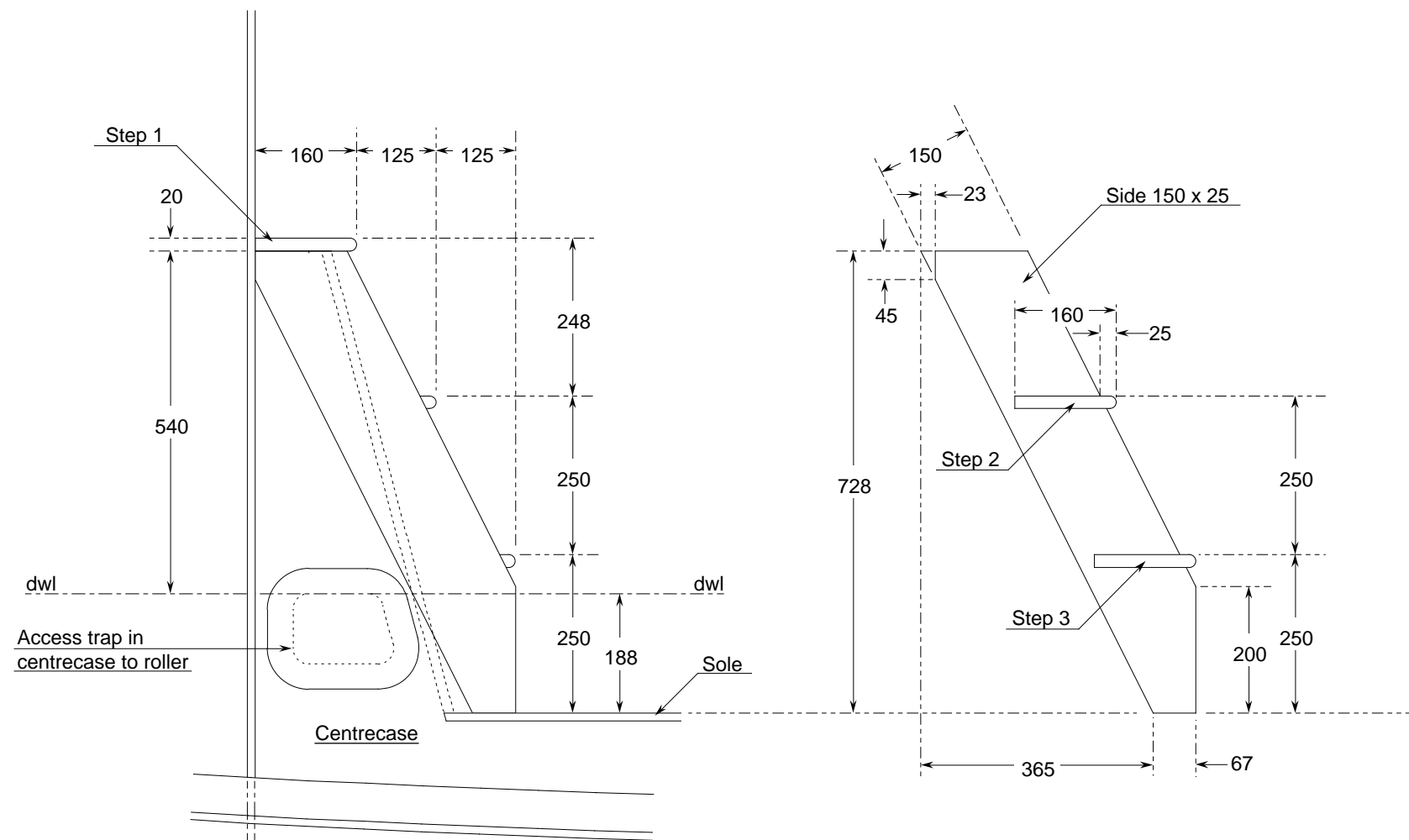


Note: Step 1 is fixed and seals off top of centrecase. Fit 20 x 20 cleats to sides of case at top to fix step to. Fit 20 x 20 cleats to fwd face of bulkhead to support aft edge of step. Screw step to cleats (bedded to case top). Fit 20 x 20 cleats under step at 450 nominal outside-to-outside to retain ladder in place athwartships - position cleats so that ladder is an easy fit over them. Ladder provides additional support for step No. 1. Step Nos. 2 & 3 are part of ladder which is removable to gain access to engine etc.



Note: Fit short lengths of 20 x 20 cleating each side of case to provide additional support for step No. 2 where it is cut out in way of case. Position cleats so that they are at correct height so that step will slide over them (nominally 480mm above sole).

Note: Secure ladder to bulkhead at top with 75mm silent pattern cabin hook each side (SL 1917001 or similar). Secure bottom of ladder with 75mm barrel bolts down into sole (SL 1917713 or similar)

General Notes:

1. All dimensions are in millimetres unless otherwise noted.
2. The Zero Point is the intersection of the Datum Water Line (dwl) with the stemface.
3. Positions are measured fwd and aft (marked "-") of the Zero Point.
4. Heights are measured above and below (marked "-") the dwl.
5. Offsets are measured each side of the fore-&-aft centreline (marked "c" or c/line).
6. Waterlines are designated "wl" followed by their height.
7. Buttocks are designated "b" followed by their offset.
8. Diagonals are designated "d" followed by their start height on the centreline and their angle to it.
9. Offsets on diagonals are measured down the angle of the diagonal.
10. Offsets are to inside of skin unless noted otherwise.

-3792 | -3780
Frame 9

Whisstock support@whisstock.com
boats and boat plans

Boat 012
Companionway Steps

Scale	1/10
Date	14/01/2009
Plan No.	012/010/07
Issue No.	01 web
Drawing Size	585 x 305 - 23" x 12"